

# LIGHT DUTY FLANGED BRACKET FOR DRUM MOTOR

Set of brackets for mounting a drum motor

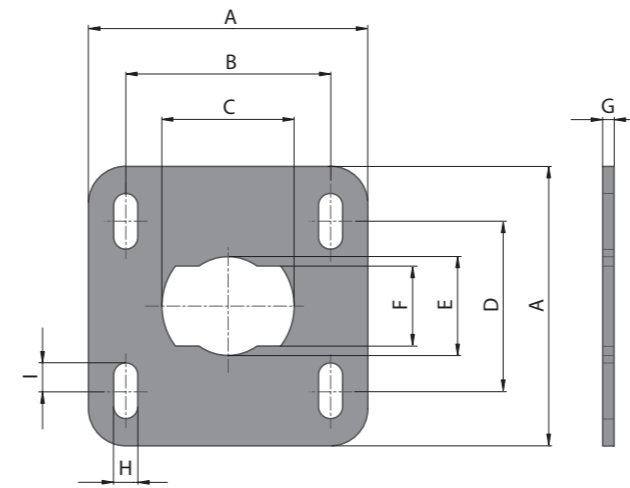
## Product Description

**Application** ✓ For Interroll Drum Motor 80S, 113S

## Product Range

Article	Shaft mm	Material	Art. No.
80S / 113S	21 x 35	Stainless steel	61103896

## Dimensions



Shaft mm	A mm	B mm	C mm	D mm	E mm	F mm	G mm	H mm	I mm
21.0 x 35.0	75.0	55.0	35.5	45.5	26.5	21.5	3.0	6.5	15.0